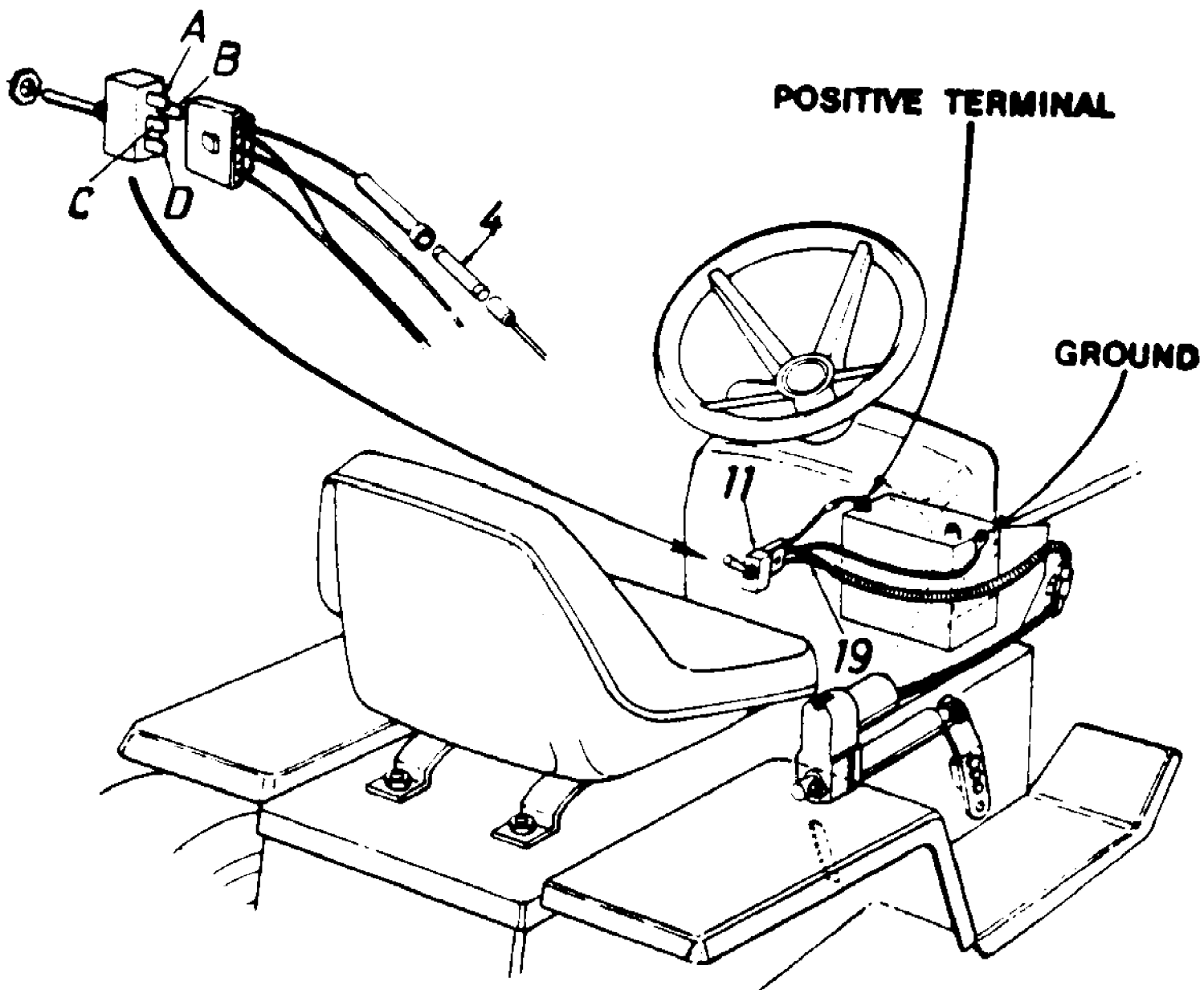


190-749-190 Electric Lift Kit (1991)
Electric Lift Kit

Page 2 of 4

Ref #	Part Number	Qty	S/P/F	Description
1	738-0639	1		Pivot Pin
2	738-0150	1	S	Shld. Bolt .626 Dia. x .96
3	16385	1		Mtg. Plate Assy.
5	712-0138	1	S	Hex Nut 1/4-28 Thd.
6	736-0329	1	S	L-Wash. 1/4-I.D.
7	710-0412	1	/P	Hex Bolt 1/4-28 x .75" Lg. (Gr. 5)
8	714-0115	1	S	Cotter Pin
9	738-0640	1		Indkator & Mtg. Pin
10	717-0620	1	S	Electric Actuator
12	712-0461	1	S	Hex Jam Nut 1/2-13 Thd.
13	748-0307A	1	/P	Litt Shaft Drive
14	16387	1	S	Lift Bracket Assy.
15	736-0119	1	S	L-Wash. 5/16 I.D.
16	710-0117	1	S	Hex Bolt 5/16 24 x 1.0" Lg. (Gr. 5)
17	736-0129	1		FI-Wash. .53 I.D. x .93 O.D.
18	736-0921	1	S	L-Wash. 1/2 I.D.
20	731-0759	1		Plastic Harness
21	726-0175	1	/P	Clamp
22	710-0376	1	/P	Hex Bolt 5/16-18 x 1" Lg. (Gr. 5)
23	777-5406	1		Label



190-749-190 Electric Lift Kit (1991)
Wiring (Electric Lift Kit) Diagram

Ref #	Part Number	Qty	S/P/F	Description
4	725-0300	1		Fuse 30 AMP (For Service Only)
11	725-1053	1	S	Toggle Switch
19	725-1108	1		Wire Harness
A		1		Blue Wire-Connects to Positive Terminal on Battery
B		1		Yellow Wire-Connects to Actuator
C		1		Black Wire-Ground Wire-to Frame
D		1		Red Wire-Connects to Actuator